

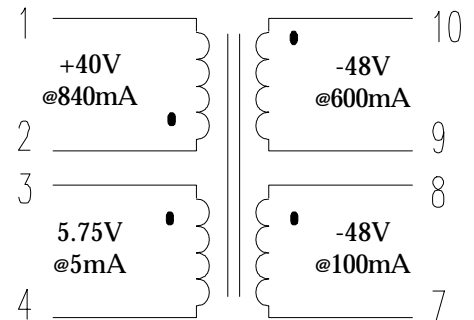
# Flyback Transformer P/N T-904

Parameter	Min.	Typ.	Max.	Units
Inductance (1-2)	333			μH
<sup>1</sup> Leakage Inductance			30	μH
<sup>2</sup> Interwinding Capacitance			45	pF
DC Resistance (1-2)		0.28		Ω
	(3-4)	0.40		Ω
	(7-8)	2.3		Ω
	(9-10)	0.40		Ω
Hi-Pot Pins (1-2) to (4-3) + (7-8) + (9+10)	3000			V <sub>RMS</sub>
Operating Frequency		100		kHz

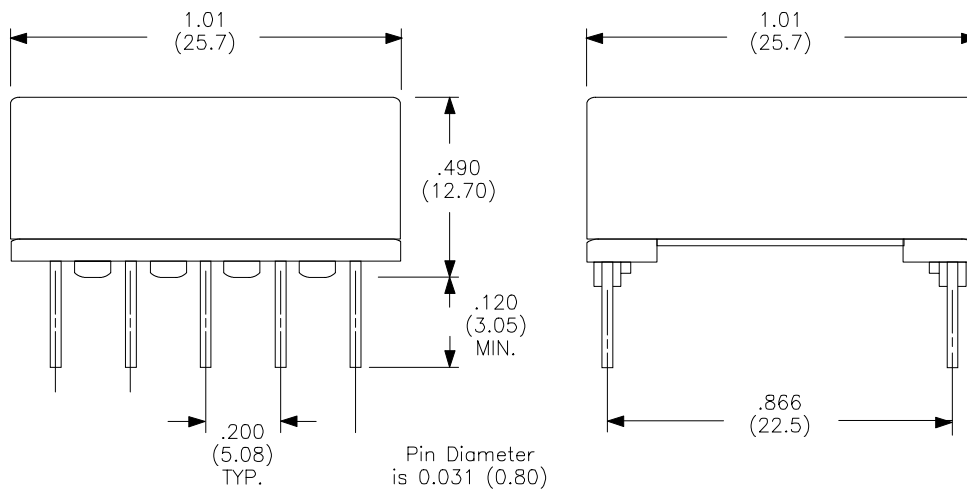
<sup>1</sup>Connected 1-2, shorted 4,3,7,8,9,10 (10KHz - 100mV)

<sup>2</sup>Connected 1-10, shorted 4-7, 8-9 (10KHz - 100mV)

## Schematic Diagram



## Physical Dimensions inches (mm)



2/6/97